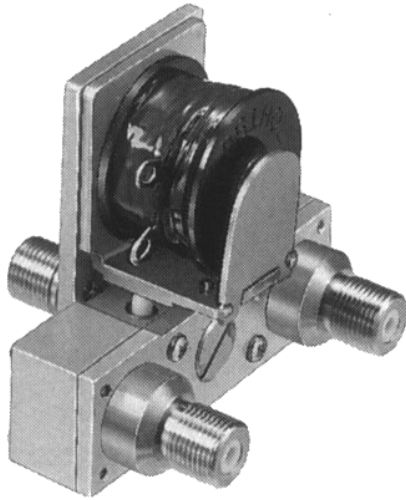


IMARK

PRODUCT DESCRIPTION



**CX-550F
TOHTSU COAXIAL RELAY**
SPDT 12 Volt Coaxial Relay with three F Type
Female Connectors
Imark Stock # [851407](#)

Features:

- Compact Size
- Operates up to 2.0 GHz
- 75Ω Relay Impedance
- Low Loss
- Low VSWR
- Good Isolation
- High Power Capability
- 12 Volt Operation
- 24 Volt or 48 Volt versions available

DESCRIPTION:

The Tohtsu CX-550F Coaxial Relay is specifically designed for switching RF feed paths in 75Ω TV applications, but can also be used in LAN applications. They are designed for internal fitment within studio equipment but can be remotely mounted if required. It is fitted with three F Type Female Connectors. Switching is achieved by applying 12 Volts DC to the Coil. The Tohtsu CX-550F Coaxial Relays feature low loss, good VSWR, and good isolation characteristics.

SPECIFICATIONS:	
COIL	
Actuation Voltage	10Vdc - 14Vdc (12 Volts DC Nominal)
Current Requirement	139mA @ 12 Vdc 20°C
Coil Resistance	86Ω ±10% 20°C
Switching Time	20mS (Pull In) Max, 15mS (Drop Out) Max
SWITCHING CIRCUIT	
Circuit Type	SPDT
Switching Circuit Impedance	50Ω
Voltage Standing Wave Ratio	Less than 1.1:1 @ 2.0GHz
Isolation	>70dB @ 50 MHz >43dB @ 2.0GHz
Insertion Loss	<0.1dB @ 50 MHz <0.3dB @ 2.0 GHz
Maximum Input Power	200 Watts @ 50 MHz 50 Watts @ 2.0GHz
Connector Type	3 x F Type Female Connectors
MECHANICAL & PHYSICAL	
Life Expectancy	1,000,000 Operations Minimum
Operational Temperature	-25°C to +50°C
Mounting Requirements	4 pieces M3 Screws (Not Supplied)
Overall Unit Dimensions	58(W) x 52(D) x 53(H) mm
Shipping Dimensions	108(W) x 78(D) x 70(H) mm
Unit Weight	185 grams
Shipping Weight	250 grams
Inclusions	Relay Unit, Instruction Sheet
Approvals	
Imark Stock #	851407
Options	24Vdc version, 48Vdc version available on special order